

# Float Valves

## Float Valves for Pipelines NV 80, 82

Valves for Systems Fitted with Accumulator



### Technical Data

Connection DN	15 - 200
Nominal Pressure PN	16
Operating Pressure	up to 8 bar
Flow Rate	1 - 115 m <sup>3</sup> /h
Temperature	110 °C
Medium	water

### Description

Pneumatic shutoff valves are independent stop valves for water installations fitted with accumulators. These valves prevent air escaping from accumulators into the pipe network once a pump has failed owing to lack of water, power cut, pipe blockage etc. In this way dangerous water hammer in the pipe network and loss of compressed air is prevented.

The accumulator must be installed in a pipe spur. As long as the accumulator is filled with water up to the level of the lower connecting spigot, the float of the pneumatic shutoff valve keeps the valve open in both directions if there is a flow of water. As soon as air passes from the accumulator into the pneumatic shutoff valve the latter closes tightly preventing air entering the pipe network. When the pump starts delivering the pneumatic shutoff valve automatically opens again and allows water to flow into the accumulator. When the water level is rising the pneumatic shutoff valve will open only if the pressure inside and downstream of the valve is approximately zero. The water flow velocity in the valve must not exceed 1.5 m/s (1 m/s for valve size DN 200).

NV 80 is a pneumatic shutoff valve of angled design, whereas NV 82 is a straight valve. The valve body is of welded steel construction; the float is precisely guided in two bushes; the valve cone is fitted with a soft seal.

### Options

- » Stainless steel construction – all components stainless steel
- » Rubber or plastic coating for corrosive media
- » Various seal materials suitable for your medium
- » Special versions on request

Operating instructions, know how and safety instructions must be observed. All the pressure has always been indicated as overpressure. We reserve the right to alter technical specifications without notice.



### Flow Rate [m<sup>3</sup>/h]

nominal diameter DN

15	20	25	32	40	50
1	3	3	7	7	11

### Flow Rate [m<sup>3</sup>/h]

nominal diameter DN

65	80	100	125	150	200
18	27	42	68	100	115

# Float Valves

## Float Valves for Pipelines NV 80, 82

Valves for Systems Fitted with Accumulator



Materials	
Temperature	110 °C
Body	steel optional CrNiMo-steel
Body Seal	Nova Universal
Internals	Cr-steel optional CrNi-steel or CrNiMo-steel
Float	CrNi-steel optional CrNiMo-steel
Valve Seal	EPDM

Dimensions [mm] NV 80, NV 82 PN 10						
size	nominal diameter DN					
	15	20	25	32	40	50
A <sub>1</sub> *	300	300	300	360	370	390
A <sub>2</sub> *	320	320	320	355	360	360
B*	60	65	75	85	100	120
D	285	285	285	285	285	285

Dimensions [mm] NV 80, NV 82 PN 10						
size	nominal diameter DN					
	65	80	100	125	150	200
A <sub>1</sub> *	500	540	680	720	875	900
A <sub>2</sub> *	460	475	580	580	700	800
B*	130	165	205	245	285	310
D	340	340	395	395	445	505

Dimensions [mm] NV 80, NV 82 PN 16						
size	nominal diameter DN					
	15	20	25	32	40	50
A <sub>1</sub> *	300	300	300	360	370	390
A <sub>2</sub> *	320	320	320	355	360	360
B*	60	65	75	85	100	120
D	285	285	285	285	285	285

Dimensions [mm] NV 80, NV 82 PN 16						
size	nominal diameter DN					
	65	80	100	125	150	200
A <sub>1</sub> *	500	540	680	720	875	900
A <sub>2</sub> *	460	475	580	580	700	800
B*	130	165	205	245	285	310
D	340	340	405	405	460	520

\* Overall length tolerances in acc. with DIN EN 558

Weights [kg] NV 80, NV 82						
nominal pressure	nominal diameter DN					
	15	20	25	32	40	50
PN 10	26	26.5	27	29.5	30	31
PN 16	26	26.5	27	29.5	30	31

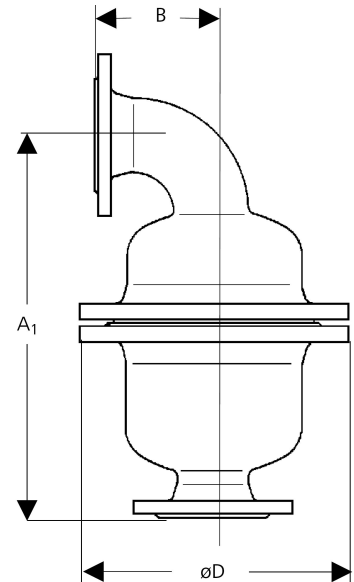
Weights [kg] NV 80, NV 82						
nominal pressure	nominal diameter DN					
	65	80	100	125	150	200
PN 10	57	59	103	108	137	153
PN 16	57	59	106	112	148	164

Customs Tariff Number
84818059

Special designs on request.  
 The pressure has always been indicated as overpressure.  
 Mankenberg reserves the right to alter or improve the designs or specifications of the products described herein without notice.

### Dimensional Drawing

NV 80



NV 82

