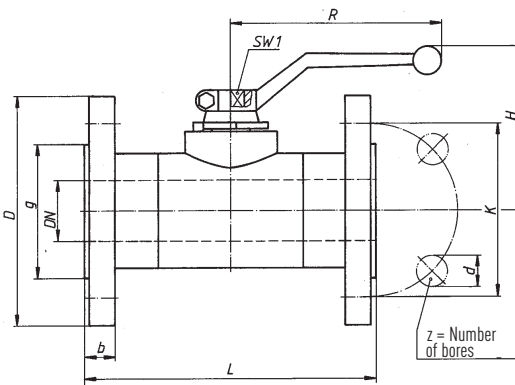
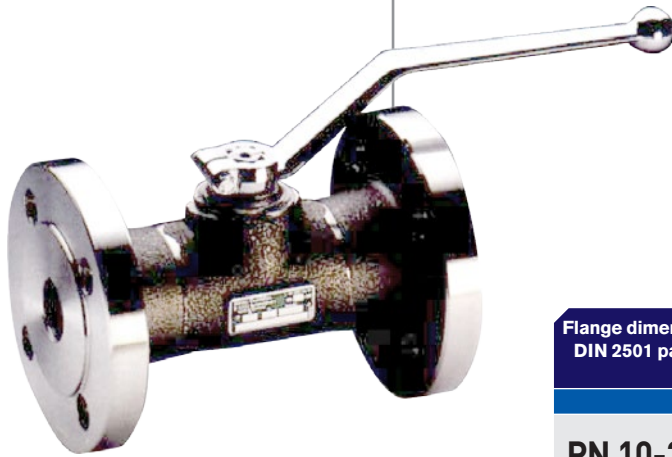


Full bore / reduced bore



Materials	PN	DN	
<b>Body</b>	10-40	10-50	Stainless steel 1.4571
<b>Ball</b>	10-40	10-50	Stainless steel 1.4571
<b>Seals</b>	10-40	10-50	PTFE

Please quote order-no. and type:  
**ELF (V/R) XXX.XXX**

Flange dimensions DIN 2501 page 1	DN	LW	PN	L	D	g	K	b	z	d	H	R	SW 1	Mass	Order-No.	
	mm	mm	bar	mm	mm	mm	mm	mm	mm	mm	mm	mm	mm	kg		
<b>PN 10-25</b> Flanged ends raised face*	10	10	25	130	90	40	60	16	4	14	88	180	10	2,0	ELF V 025.010	
	15	15	25	130	95	45	65	16	4	14	90	180	10	2,2	ELF V 025.015	
	20	20	25	150	105	58	75	18	4	14	92	180	10	3,0	ELF V 025.020	
	25	25	25	160	115	68	85	18	4	14	95	180	12	3,5	ELF V 025.025	
	32	32	25	180	140	78	100	18	4	18	119	205	16	7,0	ELF V 025.032	
	40	40	25	200	150	88	110	18	4	18	125	205	16	7,5	ELF V 025.040	
	50	50	25	230	165	102	125	20	4	18	132	205	16	11,0	ELF V 025.050	
	reduced	20	15	25	150	105	58	75	18	4	14	90	180	10	2,5	ELF R 025.020
		25	25	25	160	115	68	85	18	4	14	92	180	10	3,3	ELF R 025.025
	<b>PN 40</b> Flanged ends raised face*	10	10	40	130	90	40	60	16	4	14	88	180	10	2,0	ELF V 040.010
15		15	40	130	95	45	65	16	4	14	90	180	10	2,2	ELF V 040.015	
20		20	40	150	105	58	75	18	4	14	92	180	10	3,0	ELF V 040.020	
25		25	40	160	115	68	85	18	4	14	95	180	12	3,5	ELF V 040.025	
32		32	40	180	140	78	100	18	4	18	119	205	16	7,0	ELF V 040.032	
40		40	40	200	150	88	110	18	4	18	125	205	16	7,5	ELF V 040.040	
50		50	40	230	165	102	125	20	4	18	132	205	16	11,0	ELF V 040.050	
reduced		20	15	40	150	105	58	75	18	4	14	90	180	10	1,5	ELF R 040.020
		25	20	40	160	115	68	85	18	4	14	92	180	10	3,3	ELF R 040.025

\* Further types of flange gasket facings on demand



- On request with DIN DVGW acceptance for gas.
- The handle is included.
- Ball valves with PTFE seals are normally delivered with FPM O-rings.
- Special designs upon request.