

BBS/ENG

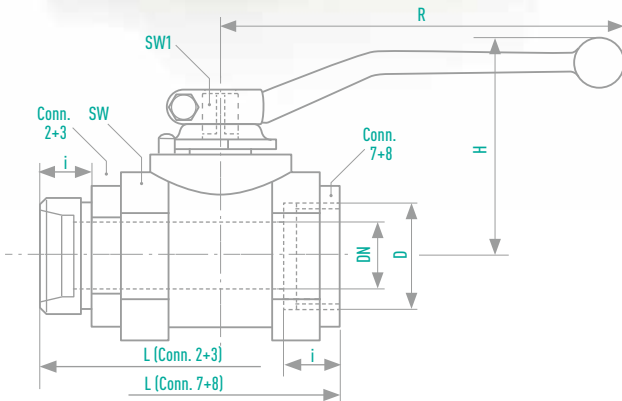
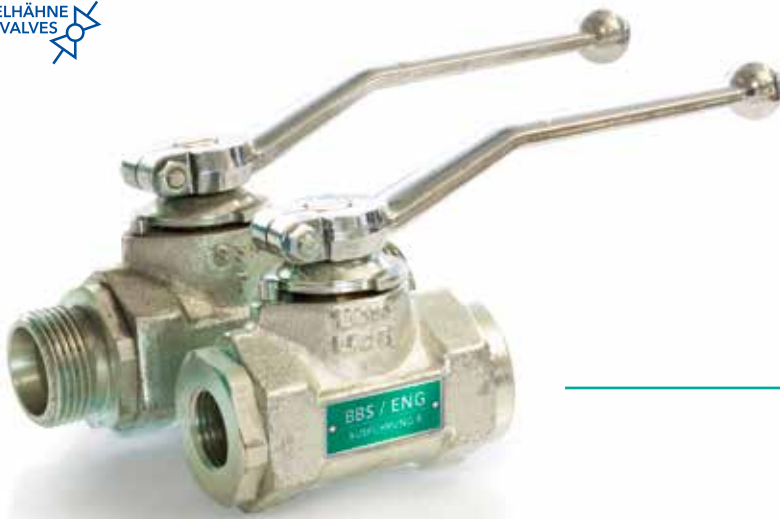
STAINLESS STEEL BALL VALVE
WITH THREADED PORTS



VERSION B
DN 4-25 | PN 100-270

Length, face-to-face DIN 3202 V1, M3

FULL BORE



MATERIALS

Body	Stainless steel*
Gland	Stainless steel*
Ball	Stainless steel
Sealings	PTFE, with steel ring
O-Rings	FPM
Stem	Stainless steel

*Material EN10204 3.1

OPTIONS

Locking device
(BBS/ENG Version B-L)

INFORMATION

TÜV-type approval

The lever is included

Special designs on request

Type of connection	DN [mm]	OD Pipe [mm]	PN [bar]	D [mm]	i [mm]	L [mm]	SW [mm]	H [mm]	R [mm]	SW1 [mm]	Weight [kg]	Order-No.
 GAS ADMISSION: UP TO 100 BAR For compression fitting, light series, DIN 2353	4	6	220	M 12 x 1,5	10	76	24	44	60	8	0,3	027.2050
	6	8	220	M 14 x 1,5	10	76	24	44	60	8	0,3	027.2051
	8	10	220	M 16 x 1,5	11	76	24	44	60	8	0,3	027.2052
	10	12	250*1	M 18 x 1,5	11	80	30	51	90	8	0,4	027.2053
	12	15	240	M 22 x 1,5	12	96	36	55	100	10	0,7	027.2054
	16	18	160*1	M 26 x 1,5	12	105	41	68	130	10	0,8	027.2055
 GAS ADMISSION: UP TO 100 BAR For compression fitting, heavy series, DIN 2353	20	22	160*1	M 30 x 2	14	110	46	70	130	10	1,1	027.2056
	25	28	100*1	M 36 x 2	14	120	55	82	180	12	1,6	027.2057
	4	8	220	M 16 x 1,5	12	76	24	44	60	8	0,3	027.2058
	6	10	220	M 18 x 1,5	12	76	24	44	60	8	0,3	027.2059
	8	12	220	M 20 x 1,5	12	76	24	44	60	8	0,3	027.2060
	10	14	270	M 22 x 1,5	14	80	30	51	90	8	0,4	027.2061
 For compression fitting, heavy series, DIN 2353	12	16	240	M 24 x 1,5	14	96	36	55	100	10	0,7	027.2062
	16	20	250	M 30 x 2	16	105	41	68	130	10	0,8	027.2063
	20	25	175	M 36 x 2	18	110	46	70	130	10	1,1	027.2064
	25	30	150	M 42 x 2	20	120	55	82	180	12	1,6	027.2065
	4	-	220	G 1/8	11	50	24	44	60	8	0,3	027.2066
	6	-	220	G 1/4	12,5	50	24	44	60	8	0,3	027.2067
 For compression fitting, heavy series, DIN 2353	8	-	170	G 3/8	12,5	55	28	44	60	8	0,3	027.2068
	10	-	270	G 3/8	12,5	60	30	51	90	8	0,4	027.2069
	12	-	200	G 1/2	15	75	36	55	100	10	0,6	027.2070
	16	-	250	G 1/2	15	75	41	68	130	10	0,7	027.2071
	20	-	175	G 3/4	18	80	46	70	130	10	0,8	027.2072
	25	-	150	G 1	20	90	55	82	180	12	1,2	027.2073
 For compression fitting, heavy series, DIN 2353	4	-	220	NPT 1/8	11	50	24	44	60	8	0,3	027.2074
	6	-	220	NPT 1/4	12,5	50	24	44	60	8	0,3	027.2075
	8	-	170	NPT 3/8	12,5	55	28	44	60	8	0,3	027.2076
	10	-	270	NPT 3/8	12,5	60	30	51	90	8	0,4	027.2077
	12	-	200	NPT 1/2	15	75	36	55	100	10	0,6	027.2078
	16	-	250	NPT 1/2	15	75	41	68	130	10	0,7	027.2079
 For compression fitting, heavy series, DIN 2353	20	-	175	NPT 3/4	18	80	46	70	130	10	0,8	027.2080
	25	-	150	NPT 1	20	90	55	82	180	12	1,2	027.2081

*1 Pressure Rating of the pipe connection

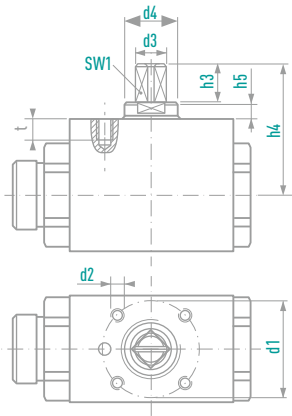
OPTIONS

PLEASE SPECIFY WHEN ORDERING:

- > Order No. & Addition „- M“ for mounting holes
- > Order No. & Addition „- L“ for locking device

MOUNTING HOLES, OPTIONAL (VERSION -M)

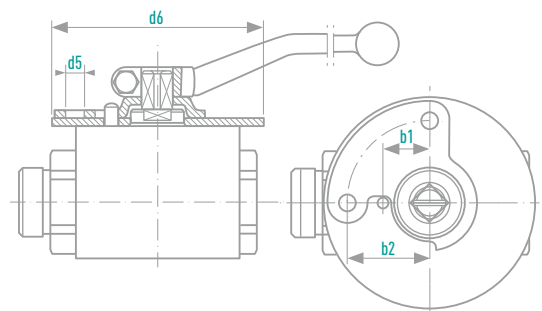
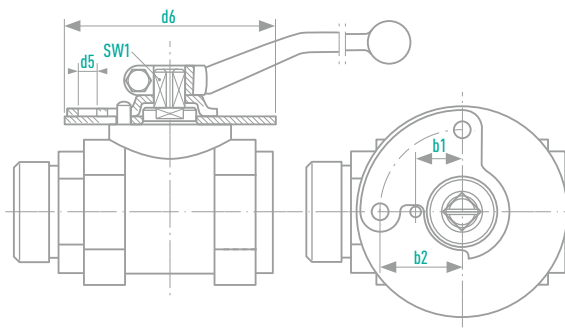
at extra cost



Models	DN [mm]	d1	d2	t	SW1	d3	h3	h4	d4	h5
BMG BHG EBG	4	25	M5	6	8	10	10	29	-	-
	6	25	M5	6	8	10	10	29	-	-
	8	25	M5	6	8	10	10	29	-	-
	10	25	M5	6	8	10	10	36	16	5
	12	36	M6	8	10	12	14	47	20	5
	16	36	M6	8	10	12	14	49	20	5
Connections 2,3,7,8,40	20	50	M6	8	10	12	14	51	20	5
	25	50	M6	8	12	15	14	55	23	5,5

LOCKING DEVICE, OPTIONAL (VERSION -L)

at extra cost



Models	DN [mm]	b1	b2	d5	d6
KMG KHG ENG	4	12	23	7,5	60
	6	12	23	7,5	60
	8	12	23	7,5	60
	10	13,5	23	7,5	65
	12	17,5	31	7	80
	16	17,5	31	7	80
Connections 2,3,7,8	20	17,5	31	7	80
	25	17,5	31	7	80

Models	DN [mm]	b1	b2	d5	d6
BMG BHG EBG	4	12	23	7,5	60
	6	12	23	7,5	60
	8	12	23	7,5	60
	10	13,5	23	7,5	65
	12	17,5	31	7	80
	16	17,5	31	7	80
Connections 2,3,7,8,40	20	17,5	31	7	80
	25	17,5	31	7	80