



Strainer for pipelines, straight-through style up to 130 °C

## Technical Data

Connection G 1/2 - 2  
 DN 15 - 100  
 Nominal Pressure PN 16

## Description

Strainers protect plant and equipment such as regulators, valves, measuring equipment against damage or operational failure caused by contamination. They are essential for start-up as well as continuous operation.

SF 6.00 is entirely manufactured from deep-drawn stainless steel featuring excellent corrosion resistance. The flat stainless steel strainer mesh which is positioned perpendicular to the flow, and the straight-through flow result in a minimum pressure drop and a large sludge collecting chamber.

Top and bottom sections of the body are connected by a clamp ring and 2 bolts. Servicing/maintenance is easy and does not call for special tooling.

The strainer may be installed in any position; installation with the cover at the bottom is recommended.

## STANDARD EQUIPMENT

- All stainless steel construction
- Strainer mesh size 0.5 mm
- Quick-release body clamp ring

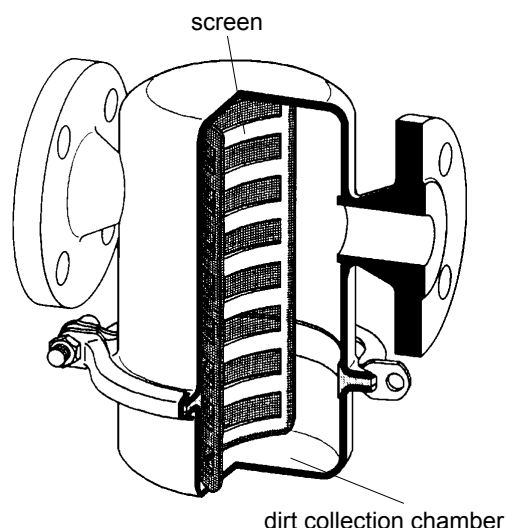
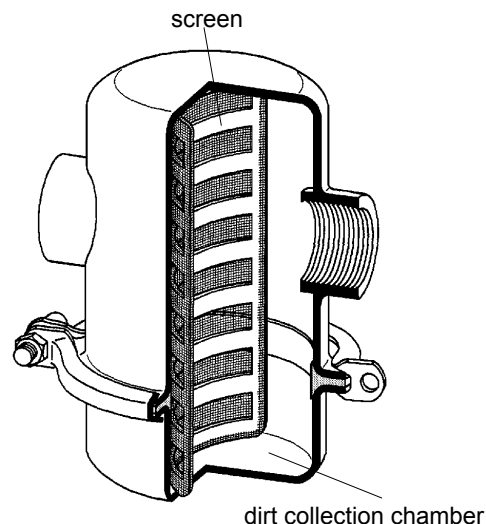
## OPTIONS

- Strainer mesh sizes 0.25 mm, 1 mm or 2.5 mm
- Various seal materials suitable for your medium
- Special connections: Aseptic, ANSI or DIN flanges, welding spigots; other connections on request
- Special versions on request

Operating instructions, Know How and Safety instructions must be observed.

The pressure has always been indicated as overpressure.

We reserve the right to alter technical specifications without notice.



Screen Netting		
screen-no. (4 = standard screen)	light screen aperture mm	open screen area %
3	0.25	41
4	0.50	51
5	1.0	67
7	2.5	69

Screen Plane cm <sup>2</sup>		
nominal diameter		
DN 15 - 50	DN 65 - 80	DN 100
G 1/2 - 2	-	-
60	114	152

Sheet no. SF 6.00/2.1.061.1 - issue 12.06.2006

WIR REGELN DAS SCHON  
 FIRMLY IN CONTROL



Strainer for pipelines, straight-through style up to 130 °C



Materials	
Body	CrNiMo-steel
Seal	EPDM
Screen	CrNiMo-steel
Screen Frame	CrNiMo-steel
Profile Clamp	CrNiMo-steel

Dimensions [mm]						
	nominal diameter G					
size	1/2	3/4	1	1 1/4	1 1/2	2
A <sub>1</sub> *	110	110	110	110	110	160
B	105	105	105	105	105	105
C	155	155	155	155	155	155
D	140	140	140	140	140	140

\* tolerance ± 2 mm

Weights [kg]						
	nominal diameter G					
	1/2	3/4	1	1 1/4	1 1/2	2
	1.2	1.4	1.4	1.6	1.6	2.3

Dimensions [mm]									
	nominal diameter DN								
size	15	20	25	32	40	50	65	80	100
A <sub>2</sub> *	150	150	160	180	200	230	290	310	350
B	108	108	108	108	108	108	148	147.8	207
C	157	157	157	157	157	157	212	212	270
D	140	140	140	140	140	140	200	200	200

\* tolerance ± 2 mm

Weights [kg]									
	nominal diameter DN								
	15	20	25	32	40	50	65	80	100
	2.6	3.2	3.6	5	5.1	6.3	9.4	10.7	13.5

Special designs on request.

The pressure has always been indicated as overpressure.

Mankenberg reserves the right, to alter or improve the designs or specifications of the products described herein without notice.

