

Strainer for pipeline, Y-type up to 400 °C

Technical Data

Connection DN 15 - 400
Nominal Operating PN 16 - 40

Description

Strainers protect plant and equipment such as regulators, valves, measuring equipment against damage or operational failure caused by contamination. They are essential for start-up as well as continuous operation.

SF 1.22 is a Y-shaped strainer having an internal strainer cylinder. Depending on the strainer size the available mesh sizes are 0.5 / 0.75 / 1.2 / 2.2 mm. For all strainer sizes a fine strainer (twin mesh) of mesh size 0.25 mm can be supplied at extra cost.

Because of their design and shape Y-shaped strainers exhibit larger pressure drops than pot strainers.

STANDARD EQUIPMENT

- Stainless steel mesh

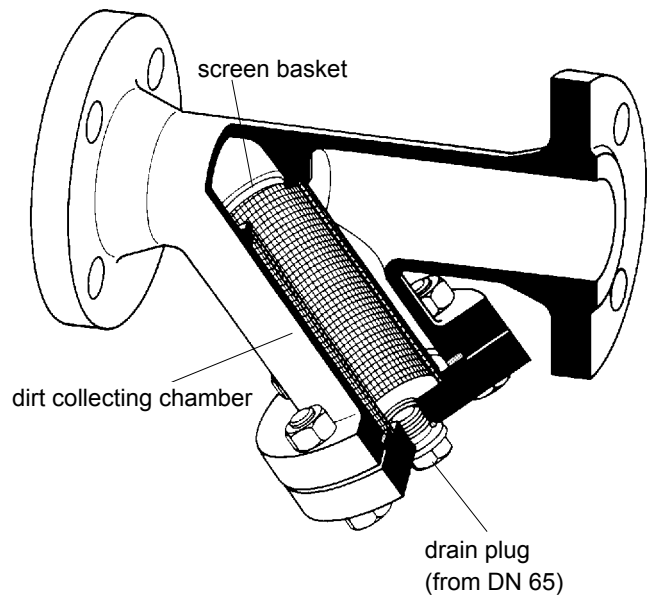
OPTIONS

- Fine mesh 0.25 mm
- Special versions on request

Operating instructions, Know How and Safety instructions must be observed.

The pressure has always been indicated as overpressure.

We reserve the right to alter technical specifications without notice.



Strainer for pipeline, Y-type up to 400 °C

Materials		
Nominal Pressure	PN 16	PN 25/40
Temperature	300 °C	400 °C
Body	bis DN 25 grey cast iron ab DN 32 spheroidal cast iron	cast steel
Sieve Inlet	1.4301	1.4301
Seal	graphite	graphite

Dimensions [mm] and weights [kg] PN 16							
DN	size					weight kg	light screen aperture
	A	B	C	ø D	E		
15	130	75	115	25	53	2.2	0.5
20	150	75	115	25	53	3	
25	160	90	135	31	68	3.8	
32	180	90	135	38	71	5	0.75
40	200	110	170	47	91	6.5	
50	230	120	190	57	105	8.5	
65	290	140	220	73	123	12	1.2
80	310	165	265	88	144	16.6	
100	350	220	340	108	184	25	
125	400	260	410	135	221	39	2.2
150	480	300	475	160	260	61	
200	600	360	580	208	360	120	
250	730	550	830	260	370	230	2.2
300	850	610	950	304	485	300	
350	980	590	950	354	460	480	
400	1100	640	1150	430	540	570	

Dimensions [mm] and Weights [kg] PN 25/40							
DN	size					weight kg	light screen aperture
	A	B	C	ø D	E		
15	130	65	120	18	50	2.5	0.5
20	150	75	125	25	53	3	
25	160	85	150	31	68	4	
32	180	100	170	38	71	5	0.75
40	200	110	205	47	91	7	
50	230	125	250	57	105	11	
65	290	145	285	73	123	18	1.2
80	310	160	330	88	145	23	
100	350	190	415	107	184	31	
125	400	220	485	134	221	48	2.2
150	480	250	535	160	260	61	
200	600	310	720	208	360	153	

Flow Resistance ζ								
PN	nominal diameter DN							
	15	20	25	32	40	50	65	80
16	3.07	3.25	2.14	2.58	2.83	3.11	3.51	4.02
25/40	2.14	3.25	2.14	2.58	2.83	3.11	3.51	4.02

Flow Resistance ζ								
PN	nominal diameter DN							
	100	125	150	200	250	300	350	400
16	3.92	3.49	3.26	5.5	3.8	4.2	4.2	3.5
25/40	3.92	3.49	3.26	5.5	3.8	4.2	4.2	3.5

Special designs on request.

The pressure has always been indicated as overpressure.

Mankenberg reserves the right, to alter or improve the designs or specifications of the products described herein without notice.

