

Float Valve, single seated, balanced, installation in pipelines and at tanks for liquids up to 130 °C



## Technical Data

Connection	DN 15 - 100
Nominal Pressure	PN 16
K <sub>vs</sub> -values	4 - 100 m <sup>3</sup> /h

## Description

Float valves automatically control liquid levels in sealed or open (non-pressurised) tanks and vessels without requiring external energy. The float registers the liquid level and directly controls the valve via a lever. A change in the liquid level immediately results in a changed flow volume.

NV 66 and NV 67e are pipeline valves for tank mounting capable of handling large volumes. NV 66e is a pipeline valve for horizontal or vertical flow. NV 67e is a pipeline valve with tank connecting flange for vertical flow. Both valves are made from deep-drawn stainless steel featuring excellent corrosion resistance. The valve cone is fitted with a soft seal.

Top and bottom sections of the valve body are connected by a clamp ring and two bolts. Servicing/maintenance is easy and does not call for special tooling.

The valves are fitted with a float bar on which a float featuring an inner tube is mounted (cylindrical float SR 8). By changing the position of the float on the bar the required liquid level is infinitely variable.

The following note applies to float valves fitted with float bars:  
If the liquid level is below the float bar i.e. if the float points downward, a guide for the float bar should be installed.

When enquiring or ordering please quote the suffix letters given below::

- Z = Inlet. Valve closes when float rises
- A = Outlet. Valve closes when float drops
- w = Horizontal flow
- o = Upward flow
- u = Downward flow

Example: Float valve NV 66e Z/w (inlet valve for horizontal flow).

## STANDARD EQUIPMENT

- Float bar stainless steel
- Cylindrical float SR 8 stainless steel
- Quick-release body clamp ring

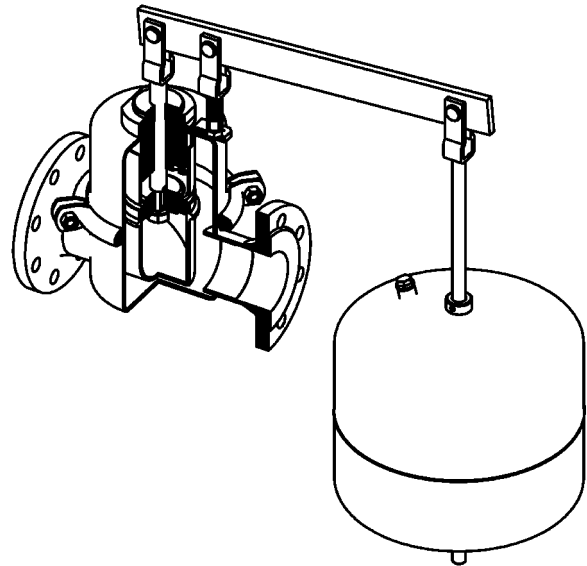
## OPTIONS

- Various seal materials suitable for your medium

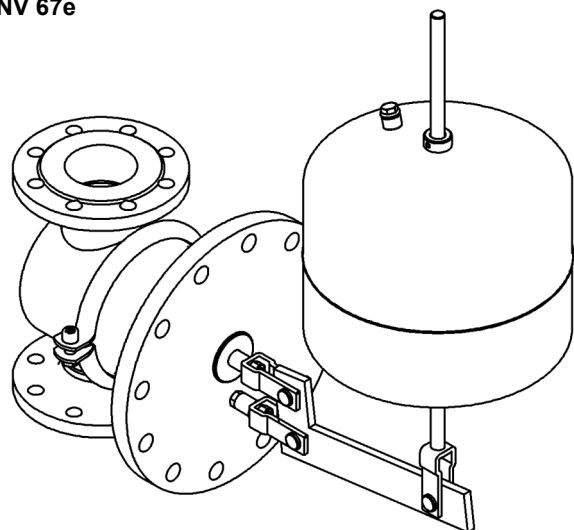
Operating instructions, Know How and Safety instructions must be observed.

The pressure has always been indicated as overpressure.  
We reserve the right to alter technical specifications without notice.

NV 66e



NV 67e



K <sub>vs</sub> -values [m <sup>3</sup> /h]							
nominal diameter DN							
15	20	25	40	50	65	80	100
4	5	6	20	32	50	80	100

# Level Control Valve

# NV 66e, 67e



Float Valve, single seated, balanced, installation in pipelines and at tanks for liquids up to 130 °C

Materials	
Body	CrNiMo-steel
Cone, Seat	CrNiMo-steel
Piston, Spindle	CrNiMo-steel
Valve Seal	EPDM
Linkage	CrNiMo-steel
Float Rod	CrNiMo-steel
Float	CrNiMo-steel

Dimensions [mm]								
size	nominal diameter DN							
	15	20	25	40	50	65	80	100
A	160	160	160	200	230	290	310	350
B	185	185	185	220	220	325	325	325
D	360	360	360	480	480	640	640	640
E	270	270	270	360	360	480	480	480
F	315	315	315	420	420	560	560	560
G	45	45	45	60	60	80	80	80

Weights [kg]								
nominal diameter DN								
15	20	25	40	50	65	80	100	
5.8	6.2	6.5	14	14.5	28.5	30.5	31.5	

Dimensions [mm]								
size	nominal diameter DN							
	15	20	25	40	50	65	80	100
A	160	160	160	200	230	290	310	350
B	185	185	185	220	220	317	317	317
C	125	125	125	145	145	211	211	211
F	210	210	210	280	280	420	420	420
G	30	30	30	40	40	60	60	60
H	DN 100	DN 100	DN 100	DN 125	DN 125	DN 200	DN 200	DN 200

Weights [kg]								
nominal diameter DN								
15	20	25	40	50	65	80	100	
11.5	12	15	22.5	23	44.5	46.5	47.5	

Cylindrical Float ø SR 8 [mm] (ø = height) *								
nominal diameter DN	15	20	25	40	50	65	80	100
float ø mm	200	200	200	240	240	305	305	305

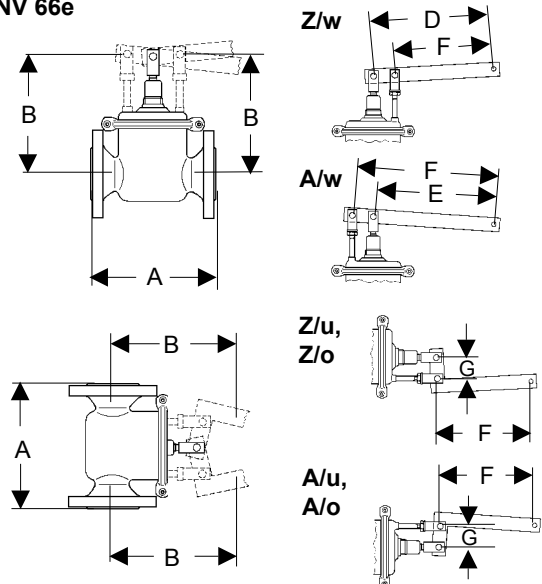
\*dimensions and weights see sheet no. SR 2.1.041.1

Special designs on request.

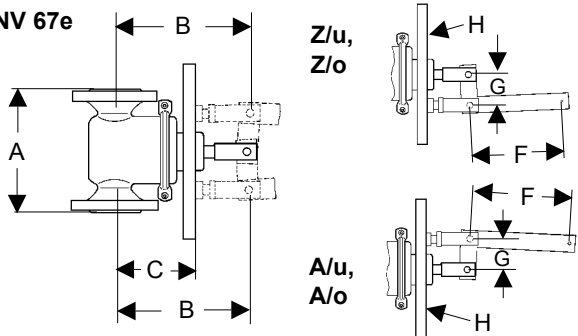
The pressure has always been indicated as overpressure.

Mankenberg reserves the right, to alter or improve the designs or specifications of the products described herein without notice.

NV 66e



NV 67e



WIR REGELN DAS SCHON  
FIRMLY IN CONTROL

**MANKENBERG**