

Float Valve, single seated, balanced, installation in pipelines for liquids up to 130 °C

## Technical Data

Connection	NV 16	: DN 15 - 100
	NV 26	: DN 125 - 400
Nominal Pressure	DN 15 - 350	: PN 16 - 40
	DN 400	: PN 10 - 16
Operating Pressure	NV 16	: up to 4 bar
	NV 26	: up to 16 bar
K <sub>vs</sub> -value	2.6 - 1800 m <sup>3</sup> /h	
Design	NV 16	: single seat
	NV 26	: double seat

## Description

The NV 16 and NV 26 float valves automatically control liquid levels in sealed or open (non-pressurised) tanks and vessels without requiring external energy. The float registers the liquid level and directly controls the valve via a lever. A change in the liquid level immediately results in a changed flow volume.

NV 16 and NV 26 are pipeline valves for horizontal or vertical flow. The standard soft seal ensures perfect sealing of the valve. The valves are fitted with a float bar on which a float featuring an inner tube is mounted (cylindrical float SR 8). By changing the position of the float on the bar the required liquid level is infinitely variable.

The following note applies to float valves fitted with float bars:

If the liquid level is below the float bar i.e. if the float points downward, a guide for the float bar should be installed.

When enquiring or ordering please quote the suffix letters given below:

Z	=	Inlet. Valve closes when float rises
A	=	Outlet. Valve closes when float drops
w	=	Horizontal flow
o	=	Upward flow
u	=	Downward flow

Example: Float valve NV 16Z/w (inlet valve for horizontal flow).

## STANDARD EQUIPMENT

- Float bar stainless steel
- Cylindrical float SR 8 stainless steel

## OPTIONS

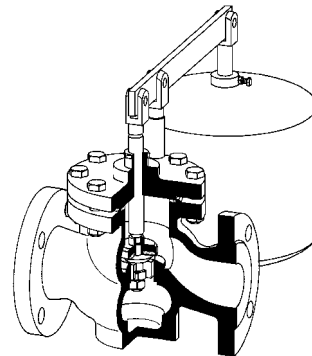
- Rubber or plastic coating for corrosive media
- Various seal materials suitable for your medium

Operating instructions, Know How and Safety instructions must be observed.

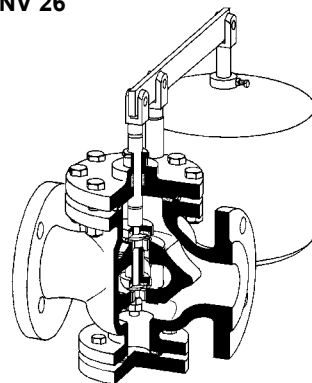
The pressure has always been indicated as overpressure.

We reserve the right to alter technical specifications without notice.

NV 16



NV 26



Pressure Ranges [bar] and K <sub>vs</sub> -values [m <sup>3</sup> /h]									
Type	NV 16								
press. range	nominal diameter DN								
bar	15	20	25	32	40	50	65	80	100
0 - 1	2.6	3.5	3.5	5.7	7.6	15	27	47	80
0 - 4	2.6	3.5	3.5	5.7	7.6	7.6	15	27	47

Pressure Range [bar] and K <sub>vs</sub> -values [m <sup>3</sup> /h]								
Type	NV 26							
press. range	nominal diameter DN							
bar	125	150	200	250	300	350	400	
0 - 1	140	230	380	570	1000	1000	1800	
0 - 4	84	140	230	380	570	570	1000	
0 - 16	46	84	140	230	380	380	570	

Please state working pressure range, when inquiring or ordering

Float Valve, single seated, balanced, installation in pipelines for liquids up to 130 °C

Materials		
Body	PN 16	up to DN 25 grey cast iron from DN 32 spheroidal cast iron
	PN 25 - 40	cast steel
	PN 16 - 40	optional CrNiMo-steel *
Cone and Seat		Cr-steel optional CrNiMo-steel
Cone Guide		gun metal optional CrNiMo-Stahl
Valve Seal		EPDM
Linkage		steel zincd or steel, optional CrNiMo-steel
Float Rod		CrNiMo-steel
Float		CrNiMo-steel

\* up to DN 100 made of CrNiMo-steel use NV 66e

Dimensions [mm] and Weights [kg] NV 16 PN 10/16*									
size	nominal diameter DN								
	15	20	25	32	40	50	65	80	100
A	130	150	160	180	200	230	290	310	350
B	175	175	175	195	195	195	290	290	290
C	55	55	55	125	125	125	105	105	105
D	360	360	360	480	480	480	640	640	640
E	270	270	270	360	360	360	480	480	480
F	315	315	315	420	420	420	560	560	560
G	45	45	45	60	60	60	80	80	80
kg	6	7	8	11	14	19	40	48	60

\*PN 25/40 on request

NV 16 necessary Cylindrical Float ø SR 8 [mm] (ø = height)*									
press. range bar	nominal diameter DN								
	15	20	25	32	40	50	65	80	100
0 - 1	200	200	200	200	200	240	280	280	305
0 - 4	240	240	240	240	280	280	305	340	420

\*dimension and weights see sheet no. SR/2.1.041.1

Dimensions [mm] and Weights [kg] NV 26 PN 10/16*							
size	nominal diameter DN						
	125	150	200	250	300	350	400
A	400	480	600	730	850	980	1100
B	325	400	440	490	540	540	555
C	185	200	210	250	290	290	385
D	760	895	1120	1280	1440	1440	1600
E	570	675	840	960	1080	1080	1200
F	665	785	980	1120	1260	1260	1400
G	95	110	140	160	180	180	200
kg	93	128	198	276	480	535	690

\*PN 25/40 on request

NV 26 necessary Cylindrical Float ø SR 8 [mm] (ø = height)*							
press. range bar	nominal diameter DN						
	125	150	200	250	300	350	400
0 - 1	240	305	305	340	380	380	380
0 - 4	280	340	340	380	420	420	460
0 - 16	380	420	460	500	600	600	600

\*dimensions and weights see sheet no. SR/2.1.041.1

Special designs on request.

The pressure has always been indicated as overpressure.

Mankenberg reserves the right, to alter or improve the designs or specifications of the products described herein without notice.

