

Steam trap float actuated, with automatic venting valve
up to 190 °C

Technical Data

Connection	G 1/2 - 1
	DN 15 - 25
Nominal Pressure	PN 16
Operating Pressure	0 - 12 bar in 3 ranges
Flow Rate	up to 2000 l/h

Description

Steam traps automatically drain condensate without loss of steam or of gas. They operate instantaneously and are not affected by back-pressure or pressure fluctuations. They do not require an external energy input.

KA 3 is a float-controlled steam trap for all applications and especially suitable for corrosive condensate and applications in the food industry. It is entirely manufactured from stainless steel featuring excellent corrosion resistance. The valve cone is fitted with a metallic seal. The KA 3 steam trap is fitted with thermal internal bleeding as standard. For draining condensate from compressed air or gases a special version without thermal bleeding can be supplied featuring G ½ connection on the top section of the valve for connecting an expansion pipe.

Top and bottom sections of the valve body are connected by a clamp ring and two bolts. Servicing/maintenance is easy and does not call for special tooling.

The simple design makes it easy to specify, install, handle and service these valves in an industrial environment.

For clean room applications or for condensate subject to stringent purity requirements, KA 3 can be supplied with electropolished or bead-blasted surface finish.

STANDARD EQUIPMENT

- All stainless steel construction
- Quick-release body clamp ring
- Thermal internal bleeding

OPTIONS

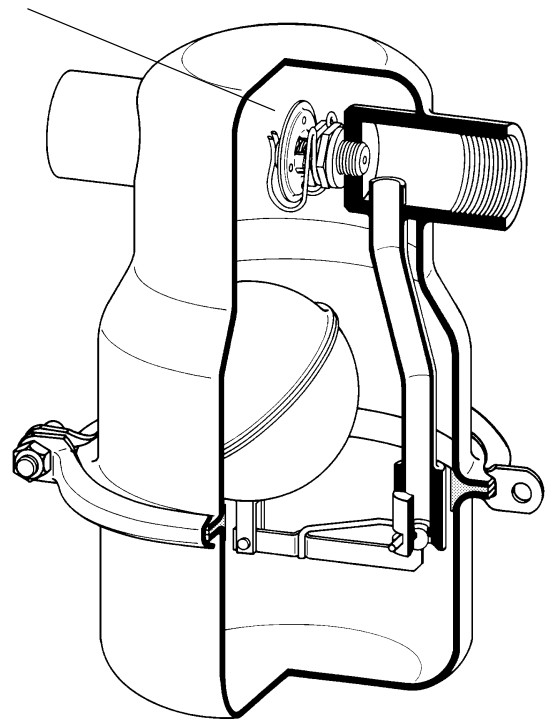
- Various seal materials suitable for your medium
- Expansion pipe connection in the valve top section for draining condensate from compressed air or gases
- Bead-blasted or electropolished surface finish for clean or sterile rooms

Operating instructions, Know How and Safety instructions must be observed.

The pressure has always been indicated as overpressure.

We reserve the right to alter technical specifications without notice.

continuous thermal bleeding



Pressure Ranges [bar]			
bar	0 - 2	0 - 4	0 - 12

Flow Rate [l/h]			
Δp bar	pressure range		
	0 - 2	0 - 4	0 - 12
0.1	300	205	100
0.2	510	290	140
0.5	900	462	220
1	1300	655	315
2	2000	925	445
3		1130	545
4		1300	630
6			805
8			940
10			1080
12			1180

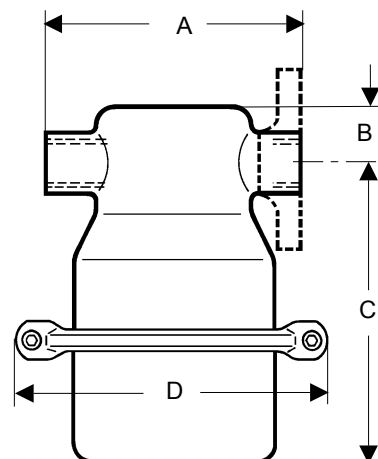
Steam trap float actuated, with automatic venting valve
up to 190 °C



Materials	
Body	CrNiMo-steel
Body Seal	FEPM
Seat, Cone	CrNiMo-steel
Float	CrNiMo-steel

Dimensions [mm]						
size	nominal diameter					
	G 1/2	G 3/4	G 1	DN 15	DN 20	DN 25
A	160	160	160	160	160	160
B	35	35	35	35	35	35
C	190	190	190	190	190	190
D	200	200	200	200	200	200

Weights [kg]						
nominal diameter						
G 1/2	G 3/4	G 1	DN 15	DN 20	DN 25	
2.6	2.6	2.6	4	4.6	5	



Special designs on request.
The pressure has always been indicated as overpressure.
Mankenberg reserves the right, to alter or improve the designs or specifications of the products described herein without notice.