



Steam trap float actuated
up to 190 °C

Technical Data

KA 2:

Connection G 3/4 x 1/2A
Nominal Pressure PN 16
Operating Pressure 0 - 12 bar in 3 ranges
Flow Rate up to 350 l/h

KA 2X:

Connection G 1 x 3/4A
DN 25 x G 3/4A
Nominal Pressure PN 16
Operating Pressure 0 - 13 bar
Flow Rate up to 1200 l/h

Description

Steam traps automatically drain condensate without loss of steam or gas. They operate instantaneously and are not affected by back-pressure or pressure fluctuations. They do not require an external energy input.

KA 2 and KA 2X are float-controlled steam traps for all applications and especially suitable for corrosive condensate and applications in the food industry. They are entirely manufactured from stainless steel featuring excellent corrosion resistance. The valve cone is fitted with a soft seal (KA2) or a metallic seal (KA 2X).

The KA 2 steam trap is available in working pressure ranges (0 - 2 bar, 0 - 6 bar, 0 - 12 bar); KA 2X is fitted with a flow control which is largely independent of the pressure.

Top and bottom sections of the valve body are connected by a clamp ring and two bolts. Servicing/maintenance is easy and does not call for special tooling.

The simple design makes it easy to specify, install, handle and service these valves in an industrial environment.

STANDARD EQUIPMENT

- All stainless steel construction
- Quick-release body clamp ring
- Manual bleed valve

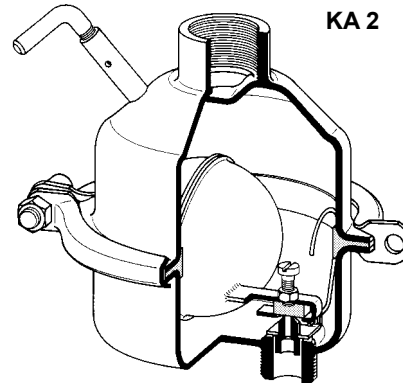
OPTIONS

- Various seal materials suitable for your medium
- Expansion pipe connection in the valve top section for draining condensate from compressed air or gases
- No manual bleed valve

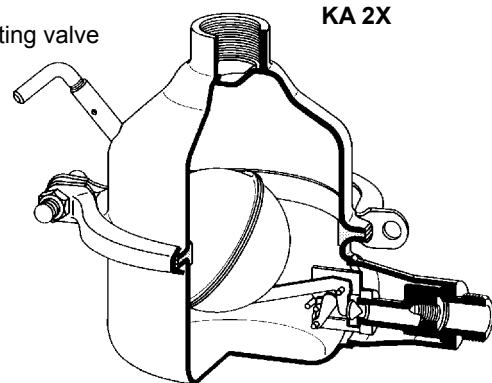
Operating instructions, Know How and Safety instructions must be observed.

The pressure has always been indicated as overpressure. We reserve the right to alter technical specifications without notice.

venting valve



venting valve



Pressure Ranges [bar]			
KA 2			KA 2X
0 - 2	0 - 6	0 - 12	0 - 13

Flow Rate [l/h]				
Δp bar	KA 2 setting ranges bar			KA 2X
	0 - 2	0 - 6	0 - 12	0 - 13
0.1	70	19	6	220
0.2	100	28	9	320
0.5	160	40	12	710
1	230	70	18	980
2	350	110	27	1200
4	-	160	46	1200
6	-	200	50	1200
8	-	-	60	1200
10	-	-	70	1180
12	-	-	75	1030
13	-	-	-	950

Level Control Valve

KA 2, KA 2X

Steam trap float actuated
up to 190 °C



Materials		
Type	KA 2	KA 2X
Body	CrNiMo-steel	CrNiMo-steel
Body Seal	FEPM	FEPM
Seat, Cone	CrNiMo-steel	CrNiMo-steel
Float	CrNiMo-steel	CrNiMo-steel
Valve Seal	FFKM	metallic

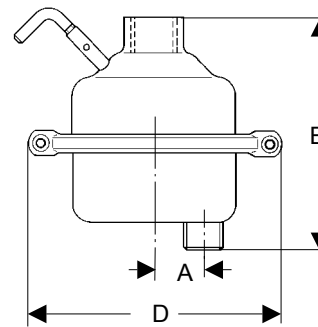
Dimensions [mm] KA 2		Weight [kg]
size	inlet female G 3/4 outlet male G 1/2A	0.85
A	27	
B	135	
D	140	

Dimensions [mm] KA 2X		
size	inlet female G 1 outlet male G 3/4A	inlet flange DN 25 outlet male G 3/4A
A	140	140
B	145	160
C	40	40
D	200	200

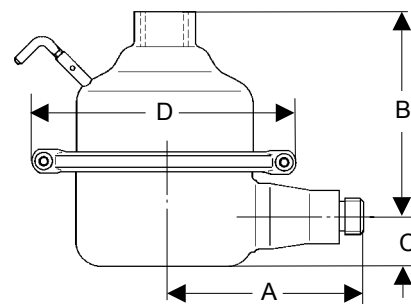
Weights [kg] KA 2X	
inlet female G 1	inlet flange DN 25
2.6	3.5

Special designs on request.
The pressure has always been indicated as overpressure.
Mankenberg reserves the right, to alter or improve the designs or specifications of the products described herein without notice.

KA 2



KA 2X, G 1



KA 2X, DN 25

