



Flow Controller without internal parts or with indicator flag with two glasses, up to 130 °C

Technical Data

Connection	G 1/2 -2 DN 15 - 50
Nominal Pressure	PN 16

Description

Flow sightglasses without flow indicator may be used for easy checking of fill levels, consistency, bi- or multiphase flows or condensate. They may also be used for mixtures of liquids, gases and vapours.

Flow indicators fitted with a vane can be used for monitoring the flow of liquids, gases and biphasic fluids.

DA 7.00 and DA 7.10 are flow sightglasses with two glasses. A good view of the fluid is provided by the two opposite glasses. They are manufactured from stainless steel featuring excellent corrosion resistance.

Body and cover are connected by a clamp ring and 2 bolts. Servicing/maintenance is easy and does not call for special tooling.

DA 7.00 Flow sightglass without internal components:

Installation:

- in any position

DA 7.10 Flow indicator with internal vane for uniform flow direction: With graduated scale 1 – 10 for horizontal or vertical installation. Sizes G ½ - G 1 or DN 15 - 25 are supplied without return spring; they can be supplied with return spring as an option; return springs can be fitted retrospectively. All other sizes are fitted with return springs as standard equipment.

Installation:

- with spring: in any position
- without spring: horizontal only if vane points downward; vertical only if flow is upward.

STANDARD EQUIPMENT

- All stainless steel construction
- Quick-release body clamp ring

OPTIONS

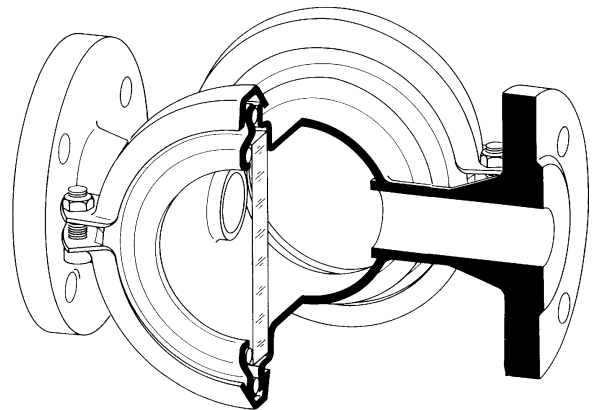
- Various seal materials suitable for your medium
- Special connections: Aseptic, ANSI or DIN flanges, welding spigots; other connections on request
- Special versions on request

Operating instructions, Know How and Safety instructions must be observed.

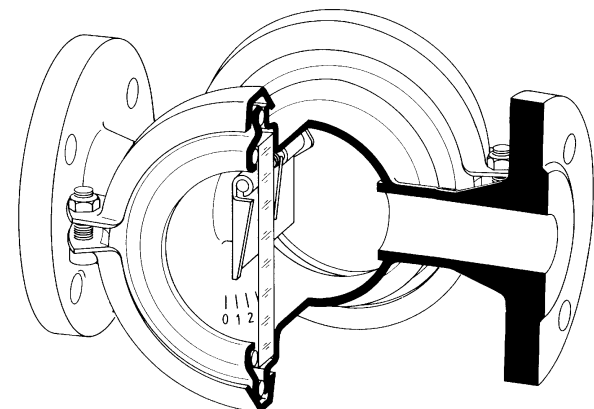
The pressure has always been indicated as overpressure.

We reserve the right to alter technical specifications without notice.

DA 7.00



DA 7.10



Flow Controller without internal parts or with indicator flag with two glasses, up to 130 °C



Materials DA 7.00		
Temperature	80 °C	130 °C
Body	CrNiMo-steel	CrNiMo-steel
Seals	EPDM optional Nova Universal	EPDM optional Nova Universal
Glasses	soda lime glasses optional maxos glasses	
Cover Fastening	profile clamp made of CrNiMo-Stahl G 2 and DN 50 with screws	

Materials DA 7.10		
Temperature	80 °C	130 °C
Body	CrNiMo-steel	CrNiMo-steel
Seals	EPDM optional Nova Universal	EPDM
Internals	CrNiMo-steel	CrNiMo-steel
Glasses	soda lime glasses optional maxos glasses	
Cover Fastening	profile clamp made of CrNiMo-Stahl G 2 and DN 50 with screws	

Dimensions [mm]							
size	nominal diameter G						
	1/2	3/4	1	1 1/4	1 1/2	2	
A*	100	105	140	182	190	225	
B	100	100	100	110	110	200	
ø D	140	140	140	140	140	135	
ø E	65	65	65	65	65	90	

* tolerance: ± 2 mm

Dimensions [mm]							
size	nominal diameter DN						
	15	20	25	32	40	50	
A*	170	180	215	220	226	230	
B	100	100	100	110	110	200	
ø D	140	140	140	140	140	135	
ø E	65	65	65	65	65	90	

* tolerance: ± 2 mm

Weights [kg]											
nominal diameter G						nominal diameter DN					
1/2	3/4	1	1 1/4	1 1/2	2	15	20	25	32	40	50
1.4			1.6		2.5	2.7	3.3	3.7	5	5.3	6.8

Sensitivity DA 7.10 for water 20 °C, horizontal installation [m³/h]						
nominal diameter G						
1/2	3/4	1	1 1/4	1 1/2	2	
0.2	0.25	0.3	1.8	1.8	2.3	

Sensitivity DA 7.10 for water 20 °C, horizontal installation [m³/h]						
nominal diameter DN						
15	20	25	32	40	50	
0.2	0.25	0.3	1.8	1.8	2.3	

Special designs on request.

The pressure has always been indicated as overpressure.

Mankenberg reserves the right, to alter or improve the designs or specifications of the products described herein without notice.

